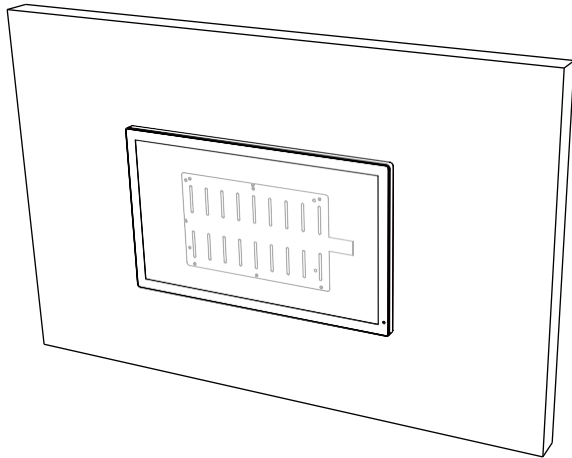


# PF32 Mounting Plate Installation Guide

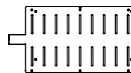


- This guide explains how to install the mounting plate using the screw fixing method. Structural adhesive fixing is another option, but this guide focuses solely on screw fixing.
- The mounting plate is pre-installed on the back of the screen at the factory. Users must prepare Accessory 3 independently.

## Required Accessories for Installation

### 1. Mounting Plate × 1

(Anti-theft screws are pre-installed on the mounting plate at the factory.)



### 2. Mounting Bracket Installation Guide × 1



### 3. M4 Countersunk Expansion Screws × 6

(Users must source this accessory themselves.)



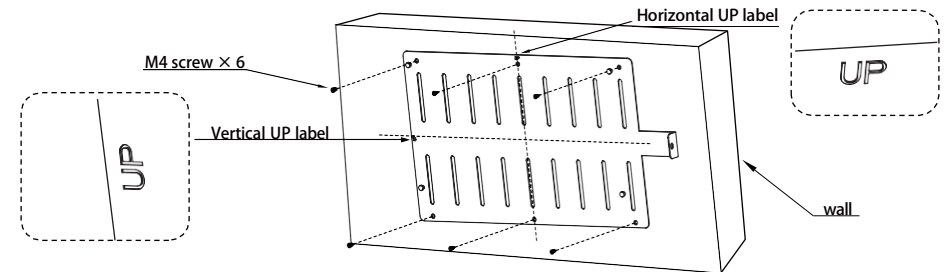
## Safety Precautions

- Refer to the provided installation diagram and included accessories.
- Follow the installation steps as a reference.
- Ensure all screws are securely tightened.
- Use the equipment within the specified size and weight limits for safety.
- Install on a flat wall.
- Important: For wooden walls, ensure the wall thickness is at least 3 cm and the load-bearing capacity is 100 kg.
- Suitable for 32" installations.

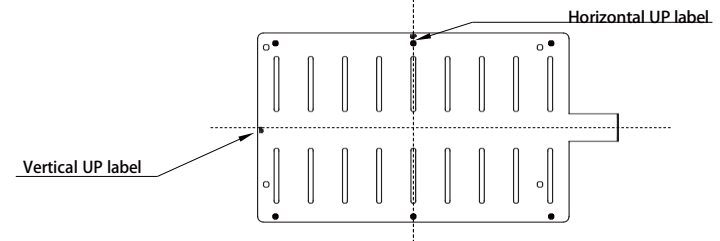
## Installation Steps

### Step 1 Secure the mounting plate to a solid, load-bearing wall using M4 screws × 6.

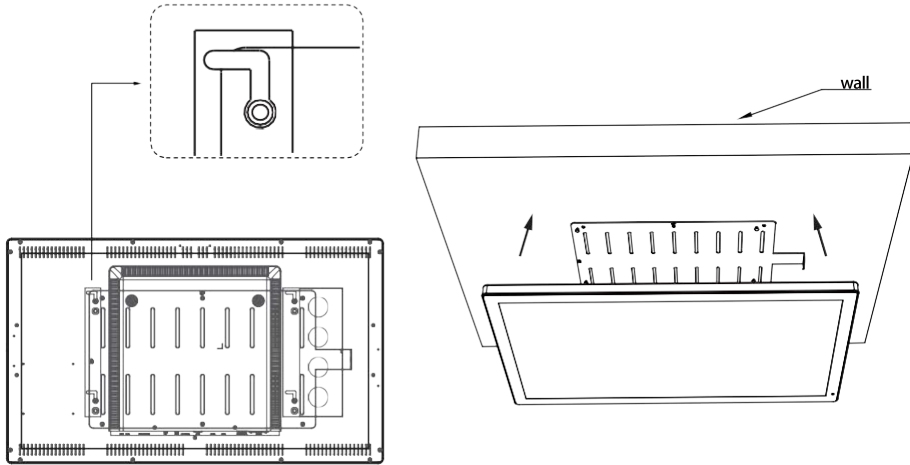
For vertical installation, the "UP" label on the short side of the mounting plate should face upwards. For horizontal installation, the "UP" label on the long side of the mounting plate should face upwards. After installation, the mounting plate will be geometrically symmetrical relative to the machine, with the center of the cross-dashed line marking the center of both the plate and the machine. This alignment ensures consistency and allows customers to create custom fixtures for future installations.



### Step 2 Make sure the screw heads are flush with or lower than the surface of the mounting plate to avoid interference.

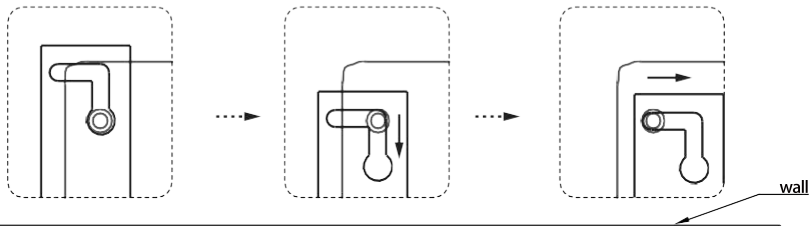


**Step 3** Align the four hanging nails on the mounting plate with the centers of the four large circular holes on the screen back. Carefully hang the screen onto the mounting plate.

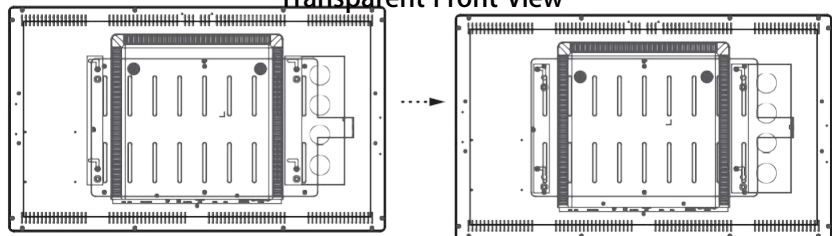


**Step 4** Whilst supporting the screen with your hands, let it slide downwards to the turning point of the mounting plate, as shown in the installation diagram and push the screen toward the right until it locks into place.

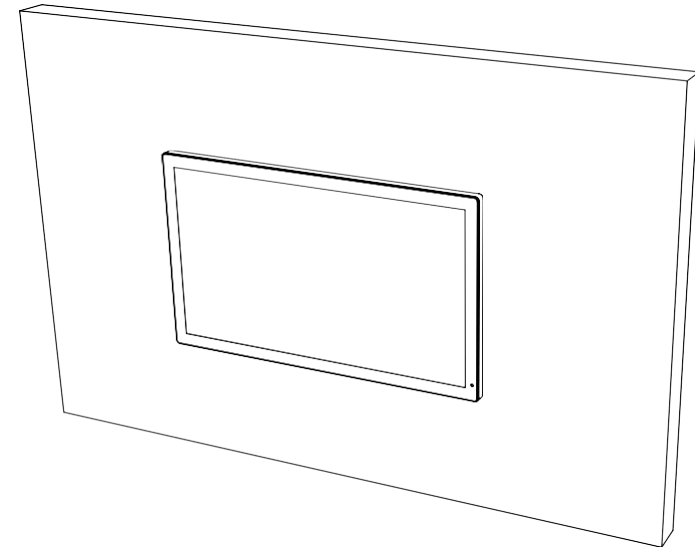
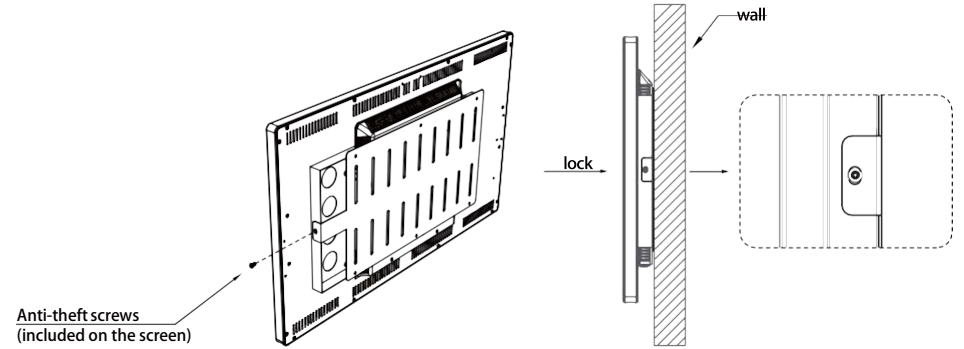
(Note: The diagram shows the front view of the machine. The mounting plate and its L-shaped holes are fixed to the wall. Only the machine, with its hanging nails, moves during this step.)



**Transparent Front View**



**Step 5** Tighten the anti-theft screws (pre-installed on the screen) on the side to secure the installation.



**The screen is now securely installed.**