

40" Digital Advertising Display



24/7 usage



HD high definition



multiple inputs



wide viewing angle



eco-friendly power timer



plug & play



lock protected compartment



image, video & music



scheduling software



landscape or portrait

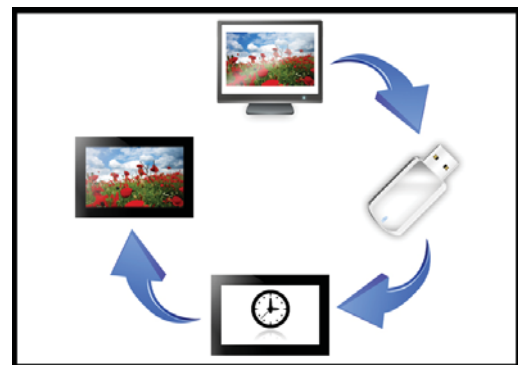
The brand new range of HD LCD Digital Advertising Displays are designed to be a complete digital signage solution. Thanks to their built in HD media player they require no additional hardware such as PCs, DVD players, excess cables or software; you simply plug and play. The media player has the exceptional feature of full HD 1080p video display.

Their sleek, elegant tempered glass styling, ability to be in constant use, wide viewing angle, high brightness and unbranded, buttonless design are just a few reasons why our Digital Advertising Displays are used over home TVs for commercial display. A free landscape wall comes as standard.

As well as functioning as a comprehensive user-friendly standalone solution our Digital Advertising Displays has the capability to be networked for remote updates. Additionally with the new VGA, HDMI and Composite Video inputs, the display has even more applications like being used as a CCTV monitor.

An eco-friendly power timer allows the user to set what time the display turns on and off during a week. This means that your overall power consumption will be conveniently reduced as the display will not be running when it is not required.

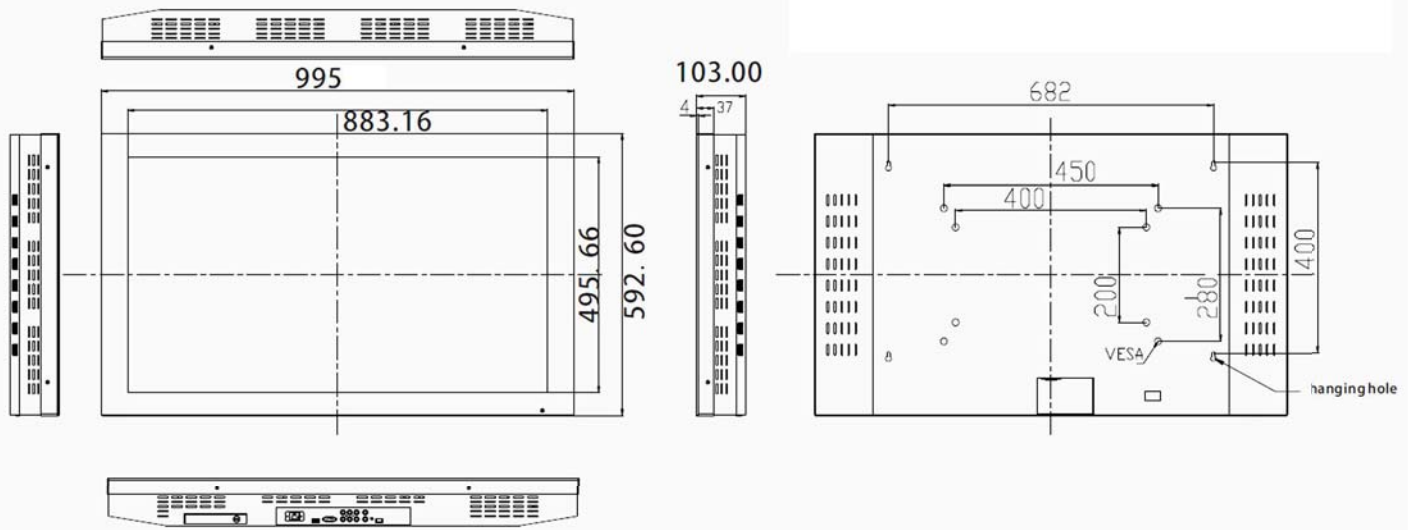
Suitable environments for this range include retail locations like supermarkets, department stores, drug stores, show rooms and shopping centres as well as banks, bars, cafés, gyms, train/bus stations, travel agents, hospitals, schools, museums, exhibition displays, cinemas and conference halls.



Our products use a straightforward plug and play system. Simply load the content in the order you want it to be displayed onto a USB stick. Insert the USB stick into the LCD screen, wait for the data to load, remove the USB stick and your images, videos and music will be displayed.

"These HD displays are simple to use but highly versatility with many diverse applications."

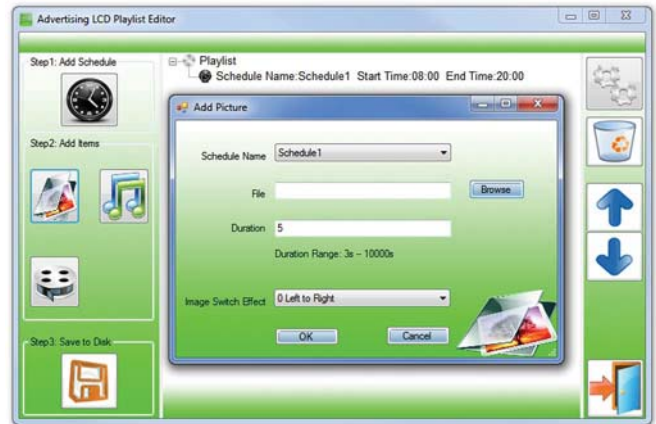
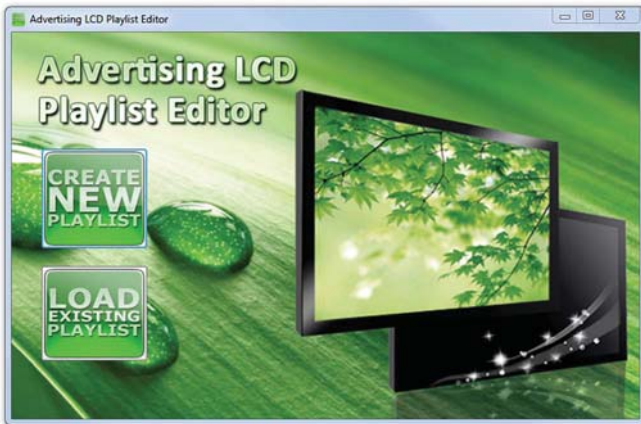
40" Digital Advertising Display



40" Digital Advertising Display	
Display Size	40 Inch
Resolution	1920x1080
Display Area (mm)	883.16x495.66
Aspect Ratio	16:9
Unit Size (WxHxD mm)	995x592.6x103
Package Size (WxHxD mm)	1125x800x230
Vesa Holes (mm)	450x280/ 400x200
Net Weight (kg)	34
Gross Weight (kg)	36
Brightness (cd/m ²)	500
Colour	16.7M
Viewing Angle	178°
Contrast Ratio	2000:1
Power Consumption (W)	195
Input Voltage	AC110-240V(50Hz-60Hz)
Working Temp	0 °C to 50 °C
Media Formats	VIDEO (MPEG, AVI, Xvid), AUDIO (MP3, WMA), JPEG
Video Signal Inputs	VGA, AV, HDMI, YPbPr, Video IN
Audio	5W, 8Ω
Memory	2GB SD Card (Supplied)
Memory Card Type	CF/SD/USB
Memory Card Capacity	64MB-12GB
Accessories	Remote control, AC Power Cable, Scheduling Software CD, Key, User Manual, Wall Mount
Optional Extras	Touch Screen, Networking

"These HD displays are simple to use but highly versatility with many diverse applications."

40" Digital Advertising Display



Although our Digital Advertising Displays can operate using the plug and play method and do not require any additional software, advanced users can utilize the Playlist Editor to create content schedules greatly expand the potential of the LCD Display for Digital Signage.

Playlist Editor has a user friendly layout and easy to follow steps. It allows the user to create timed schedules to which image, video and audio files can be added. Duration times and transition styles can also be set for each image or video file.



"These HD displays are simple to use but highly versatility with many diverse applications."